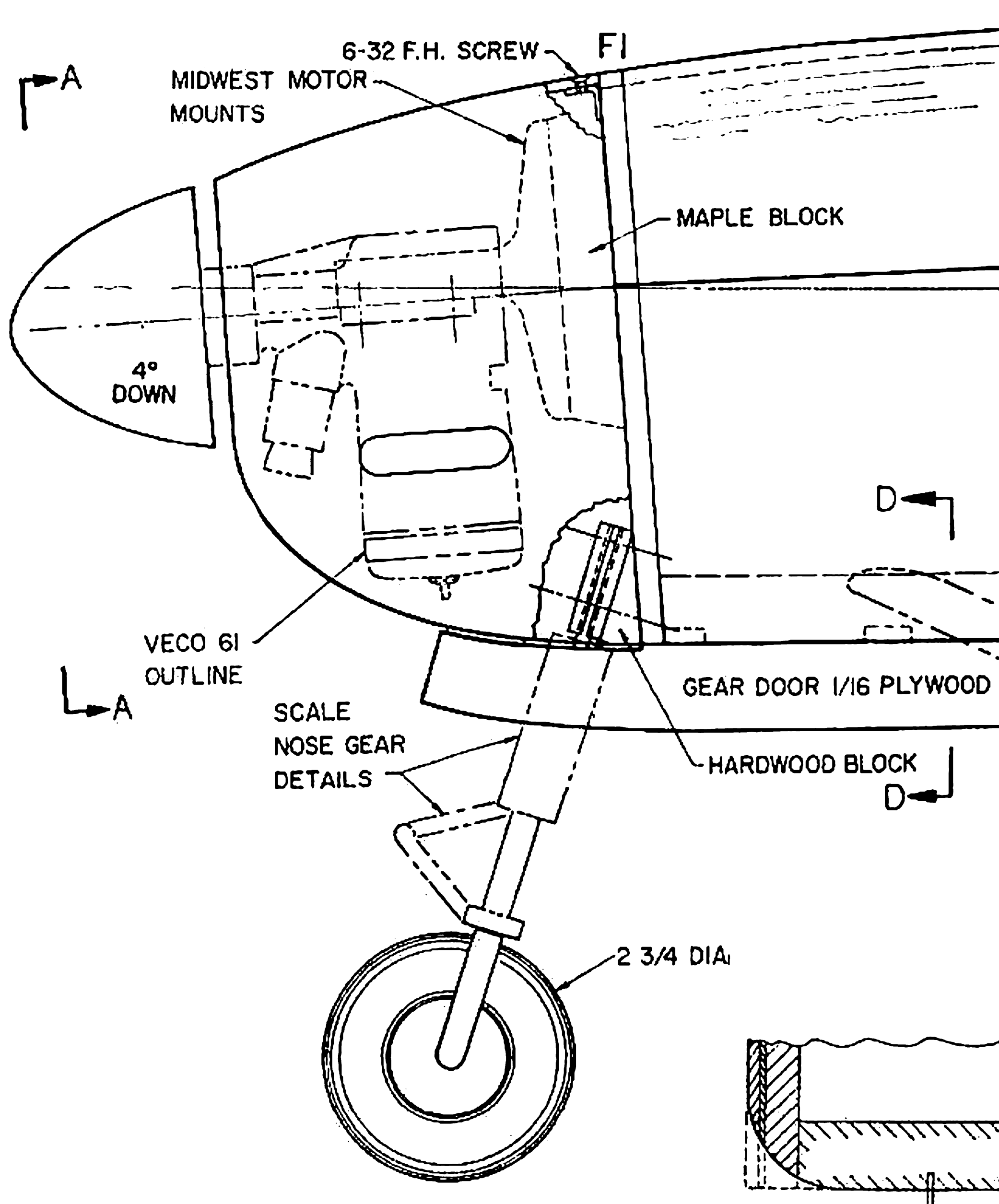
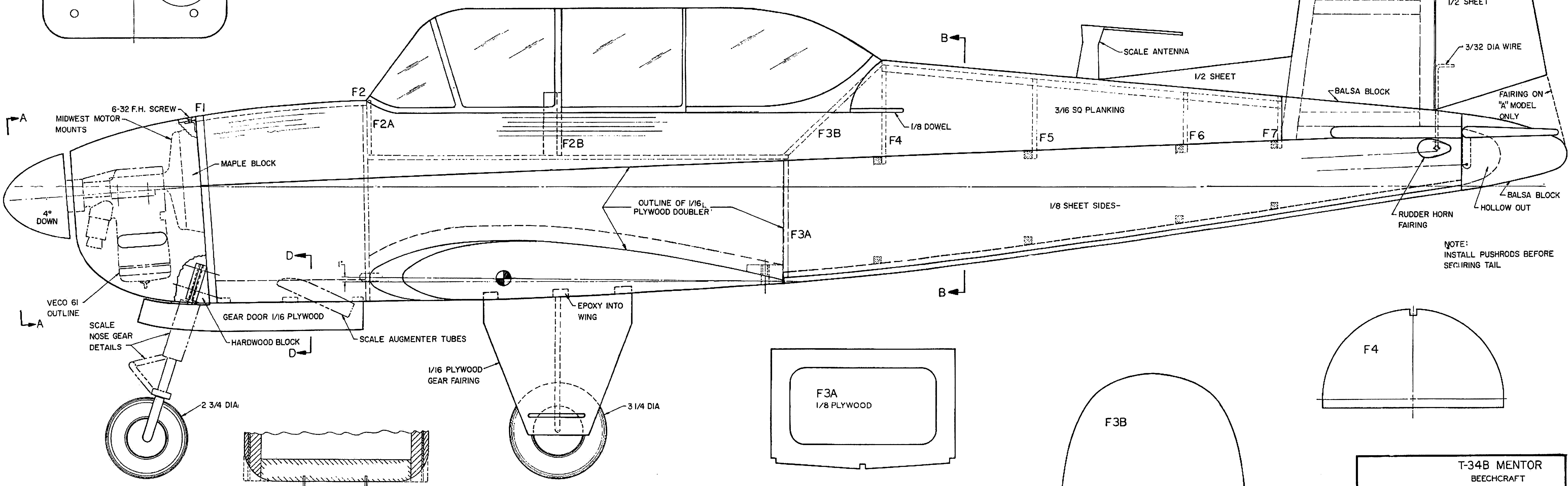
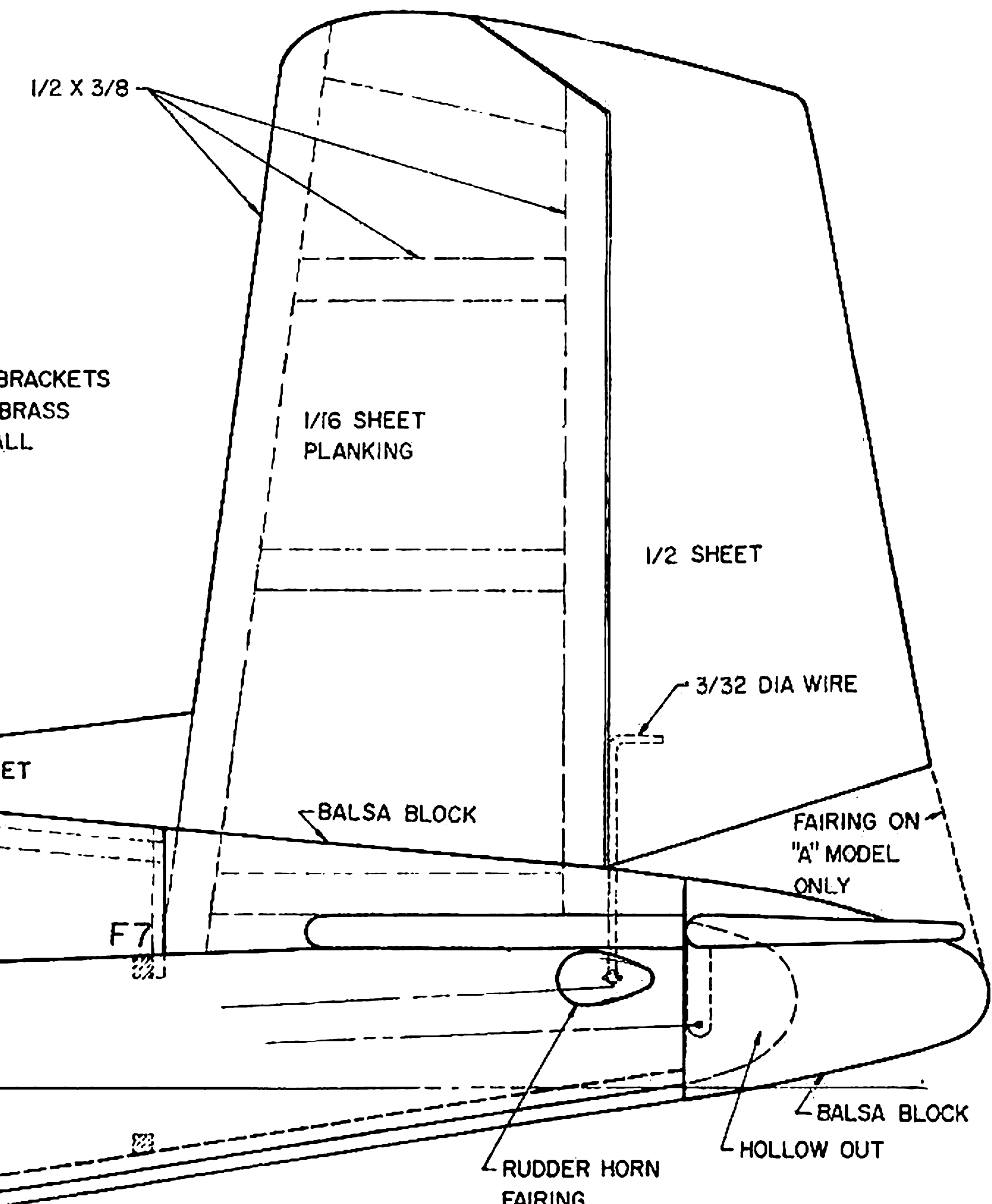
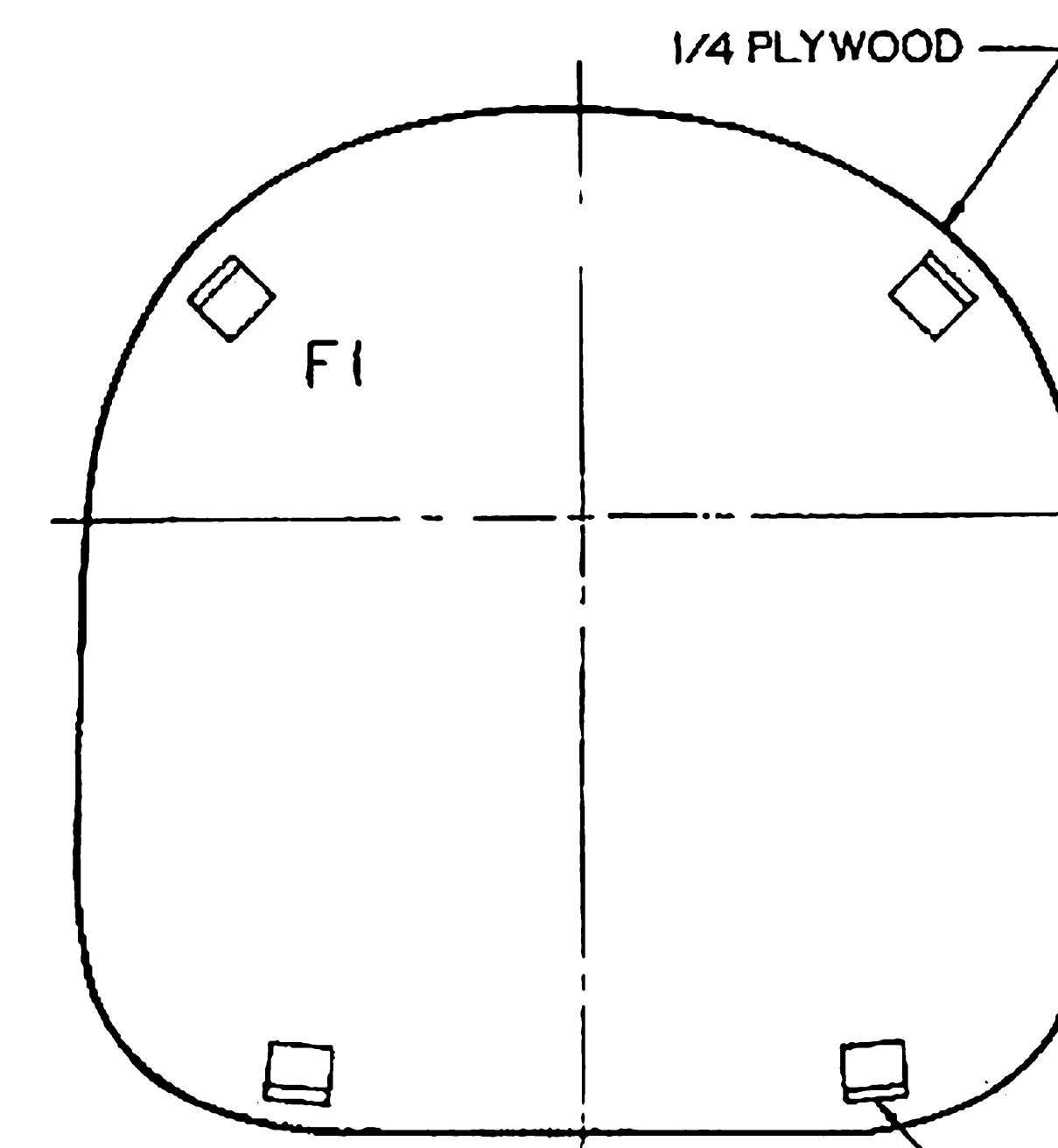
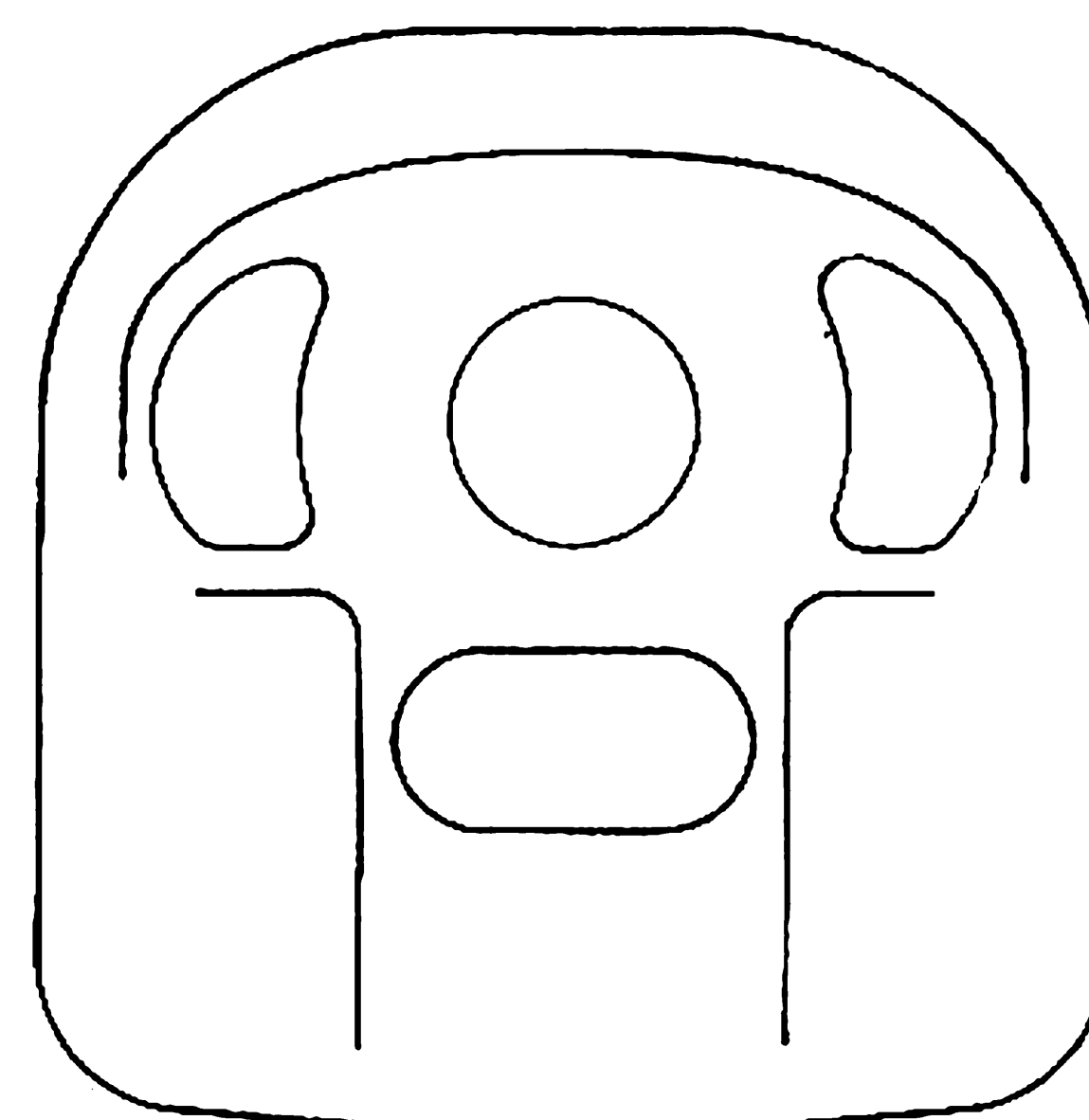
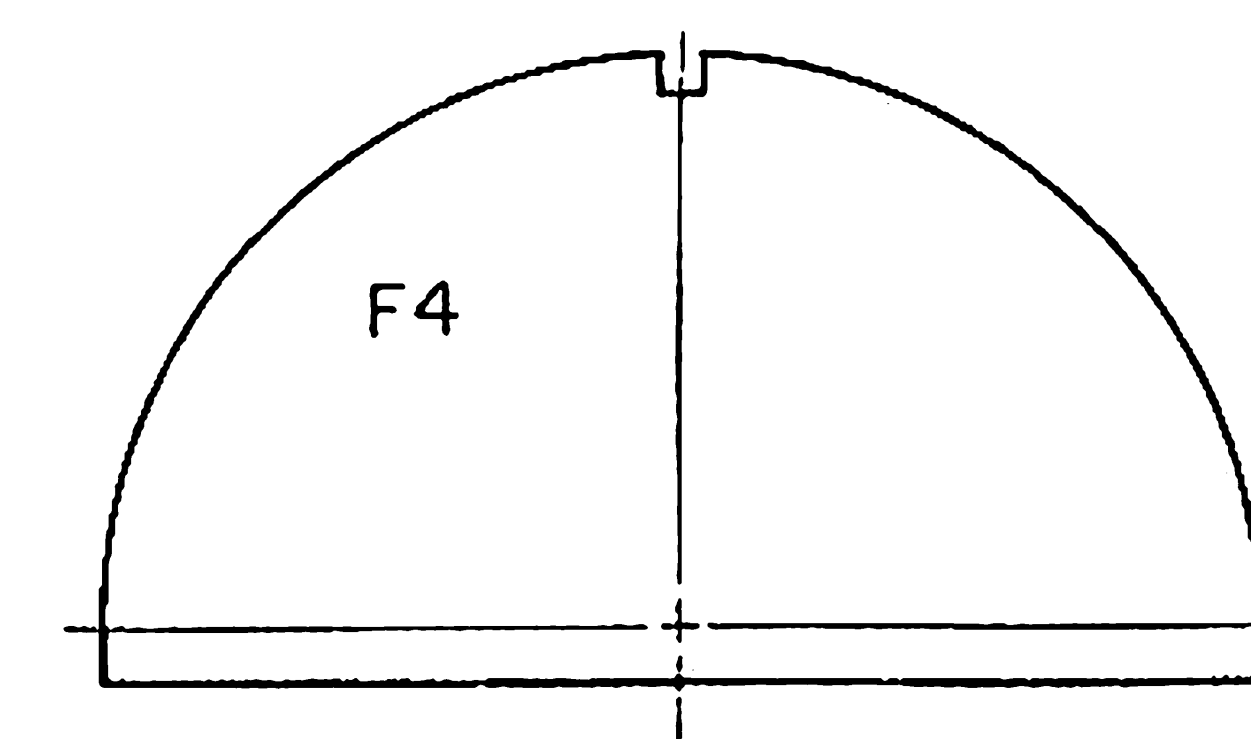
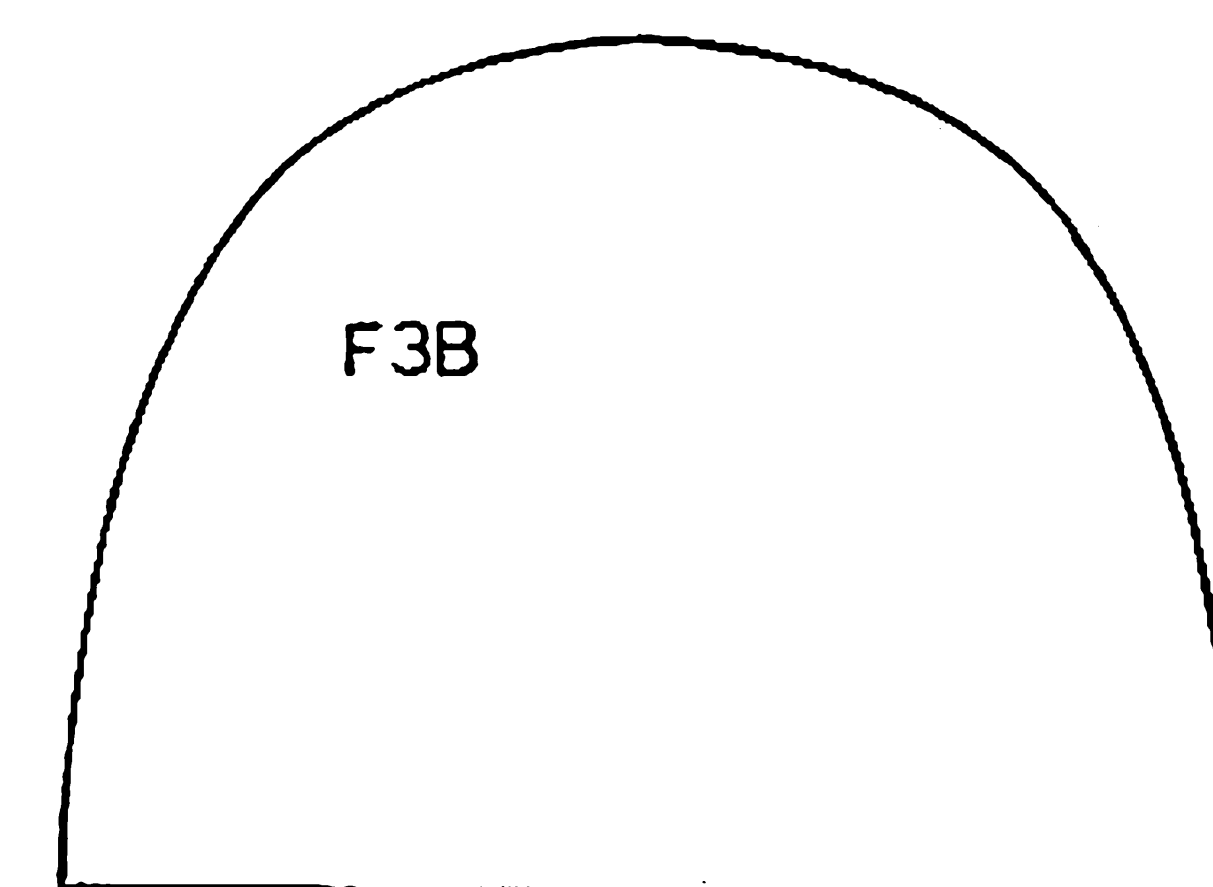
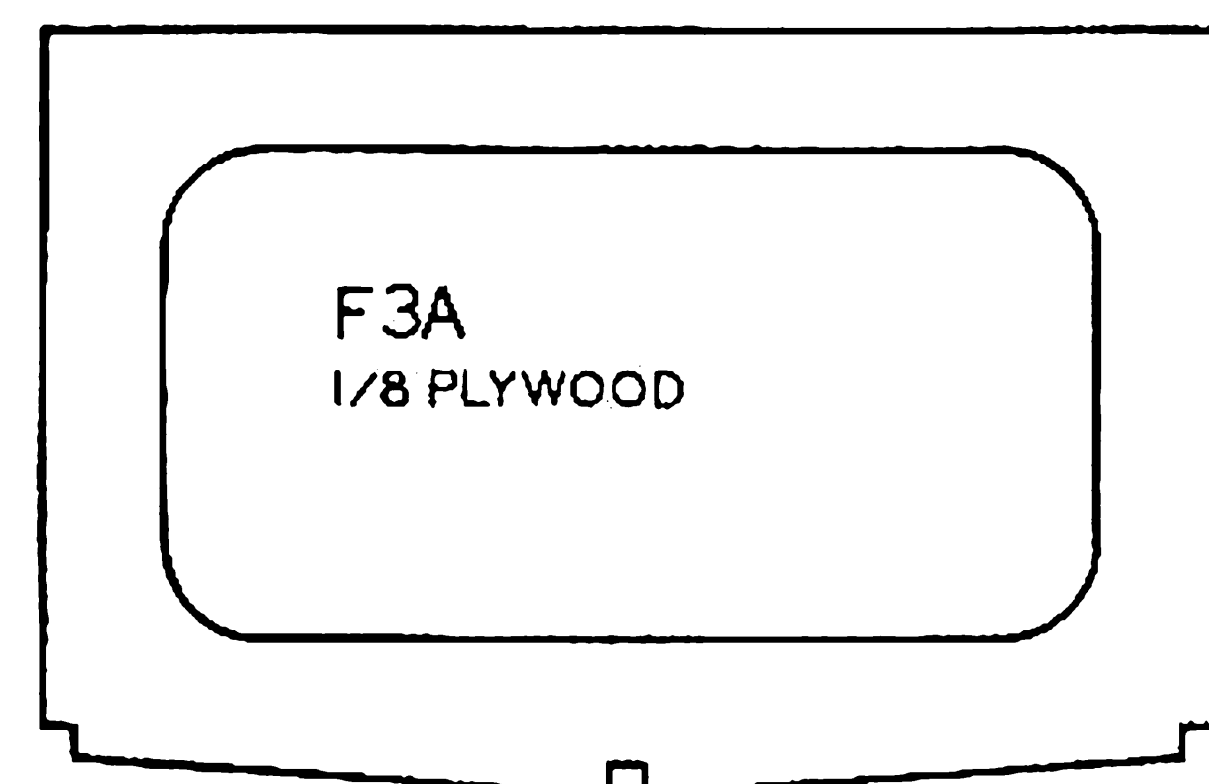
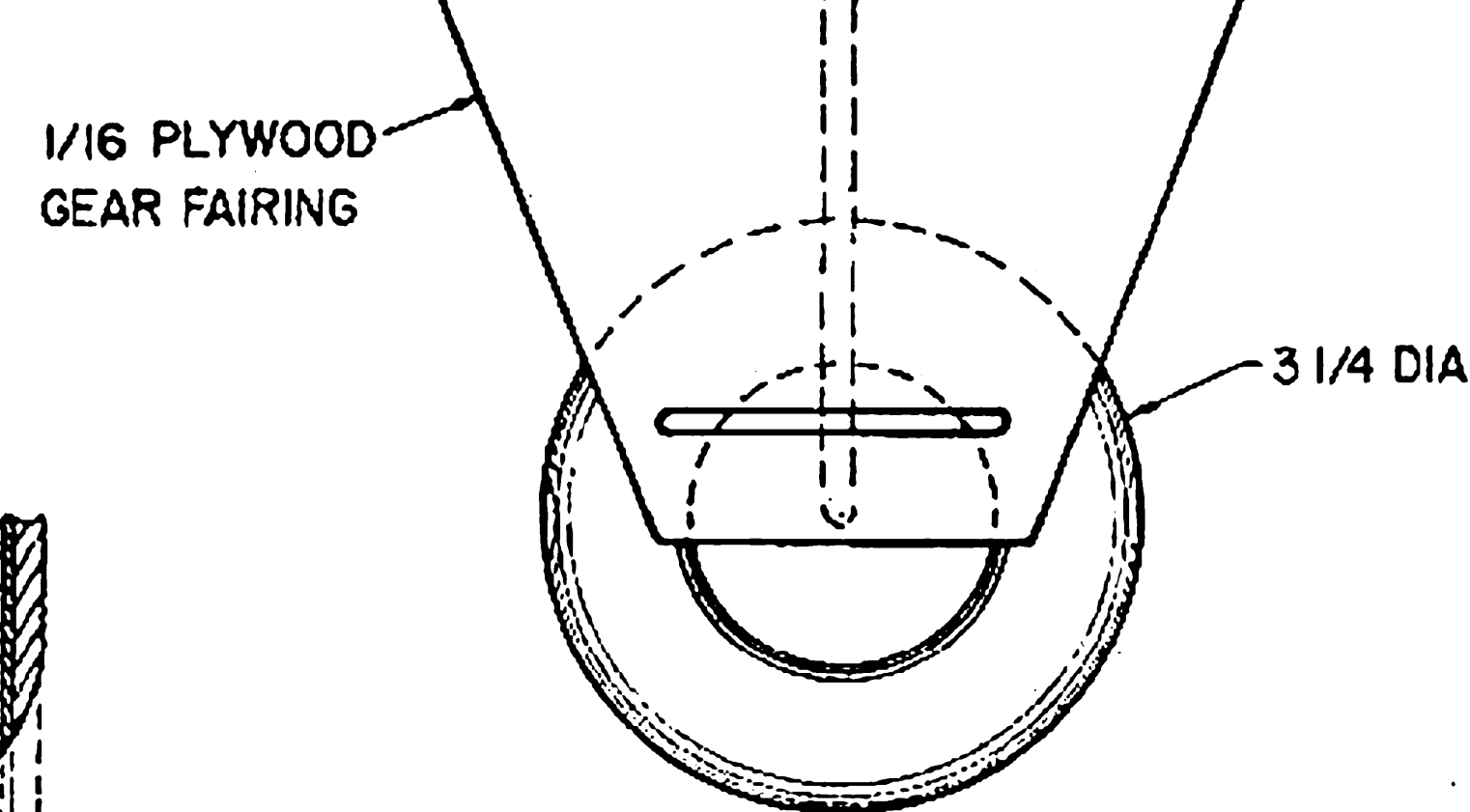


SECTION B-B

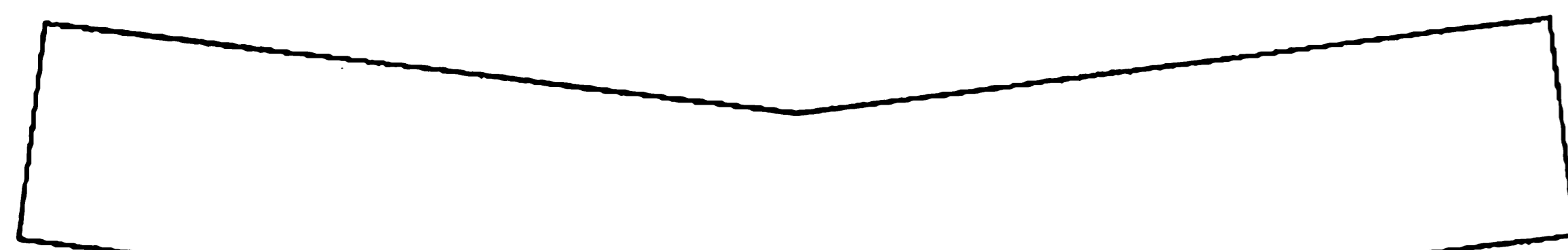


SECTION D-D

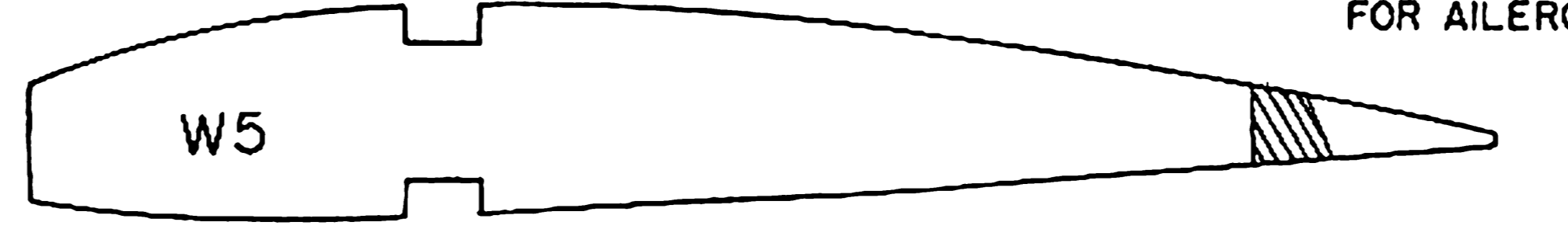
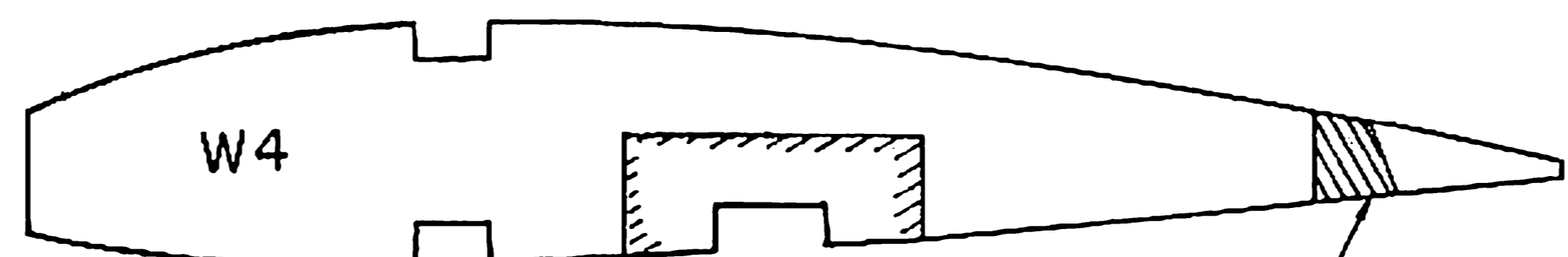
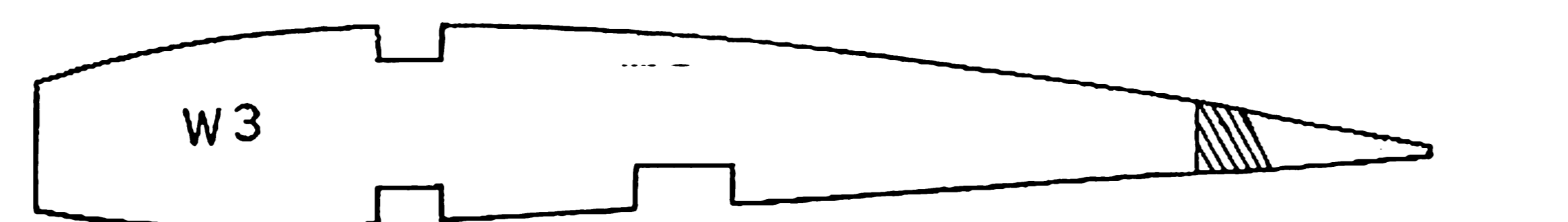
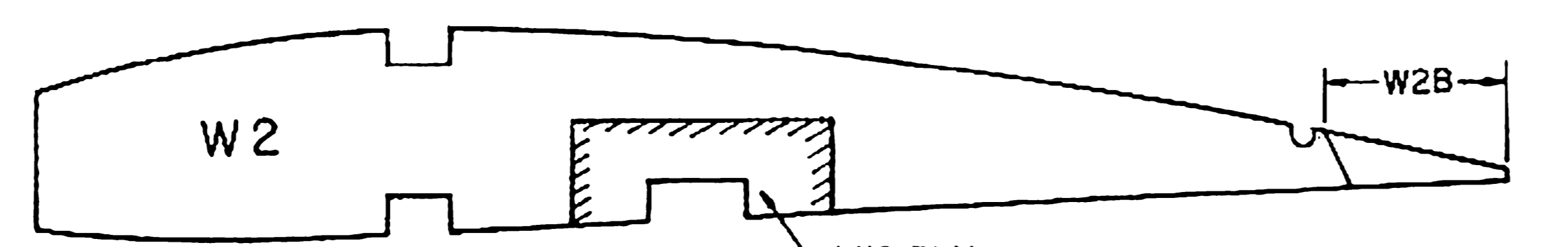
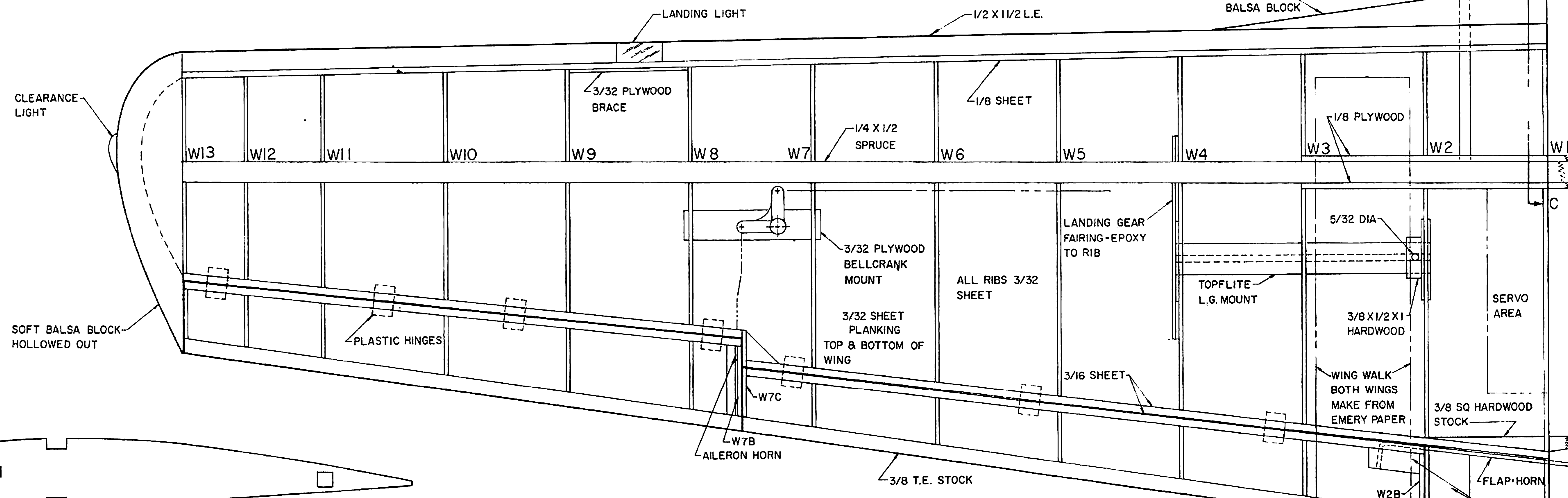
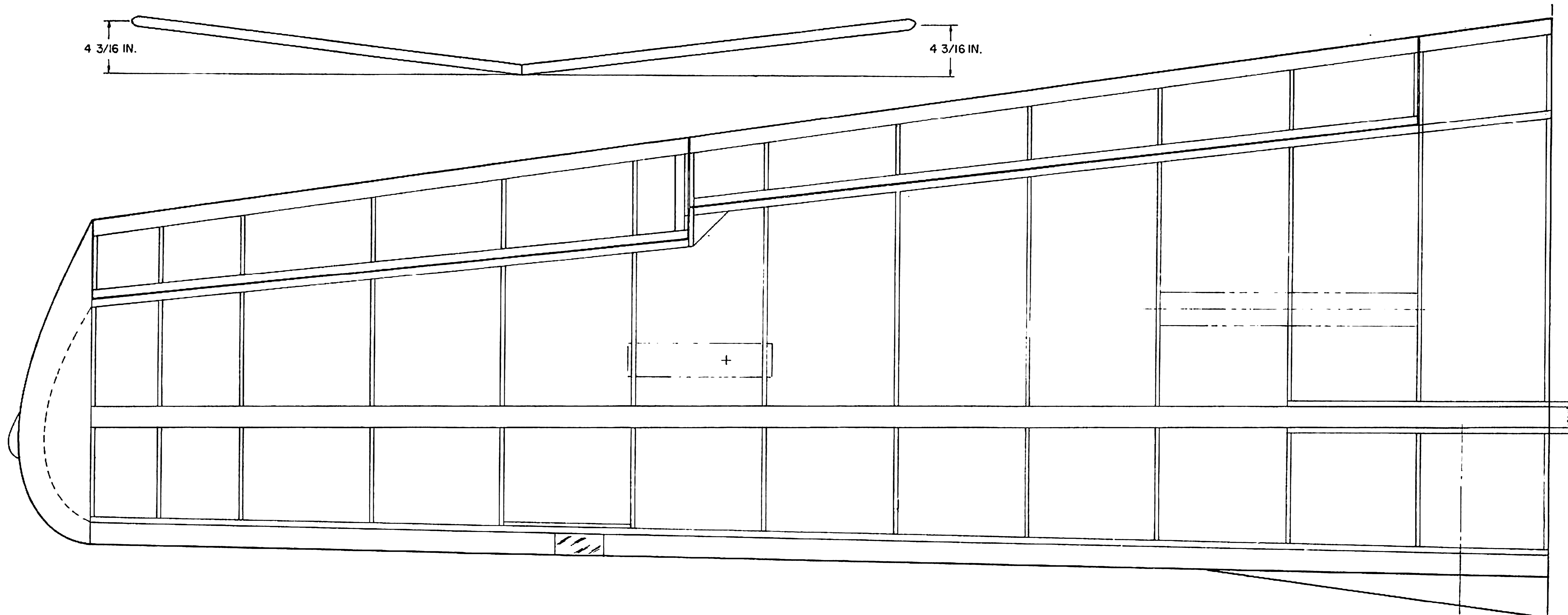
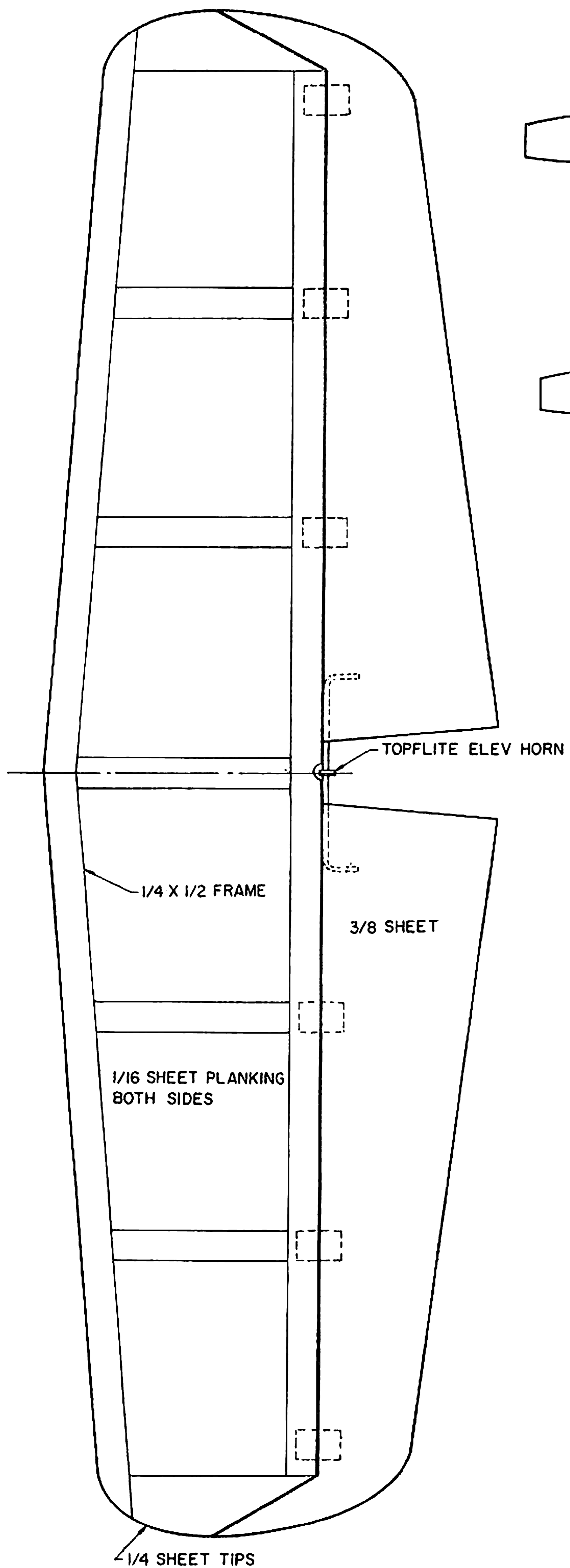
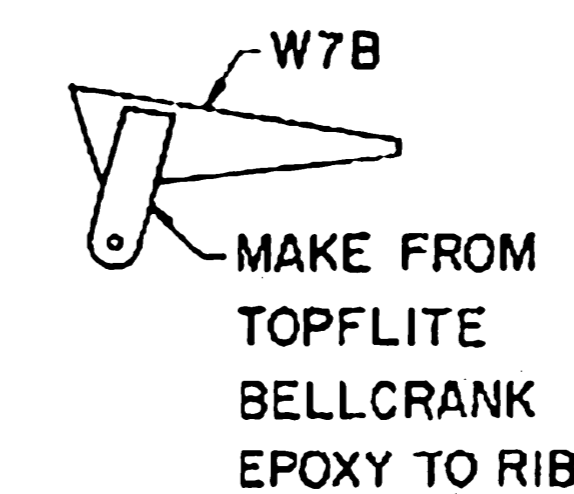
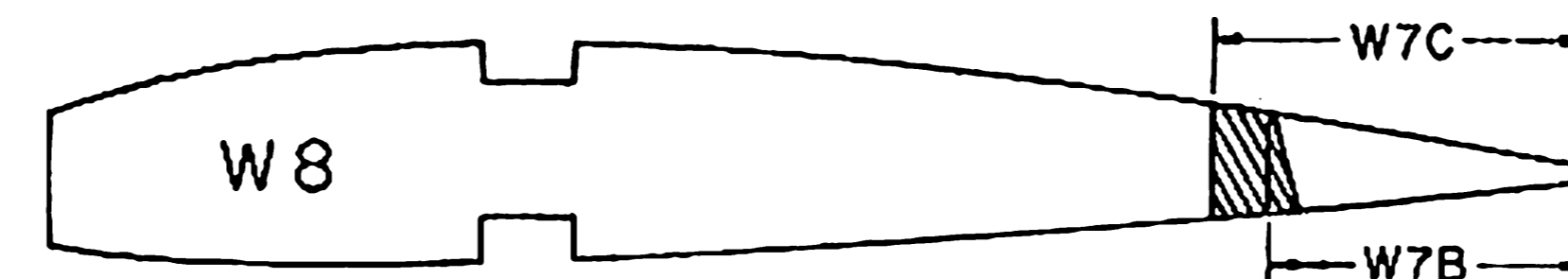
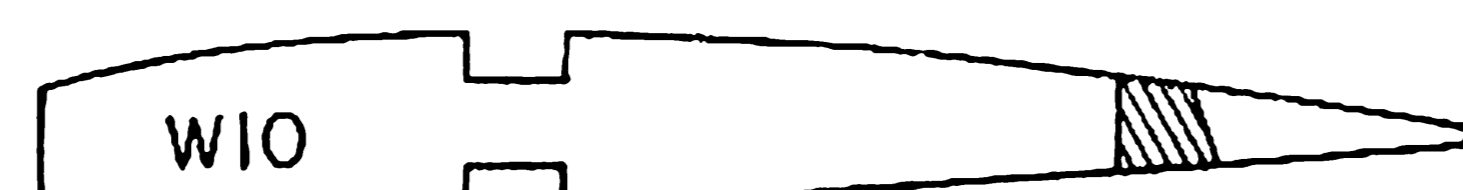
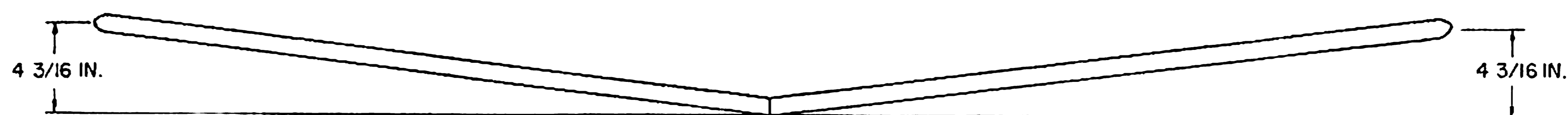


NOTE:  
 F2A, F2B, F3B, F4, F5, F6, F7 MADE FROM 1/8 SHEET

T-34B MENTOR BEECHCRAFT			
DESIGNED BY	BUD ATKINSON	DRAWN BY	H.G. SPEER
0 1 2 3 4 5 6			



DIHEDRAL BRACE  
1/8 PLYWOOD-2 REQUIRED



CUT AWAY SHADED AREA FOR AILERON & FLAP SPARS

SEC C-C

